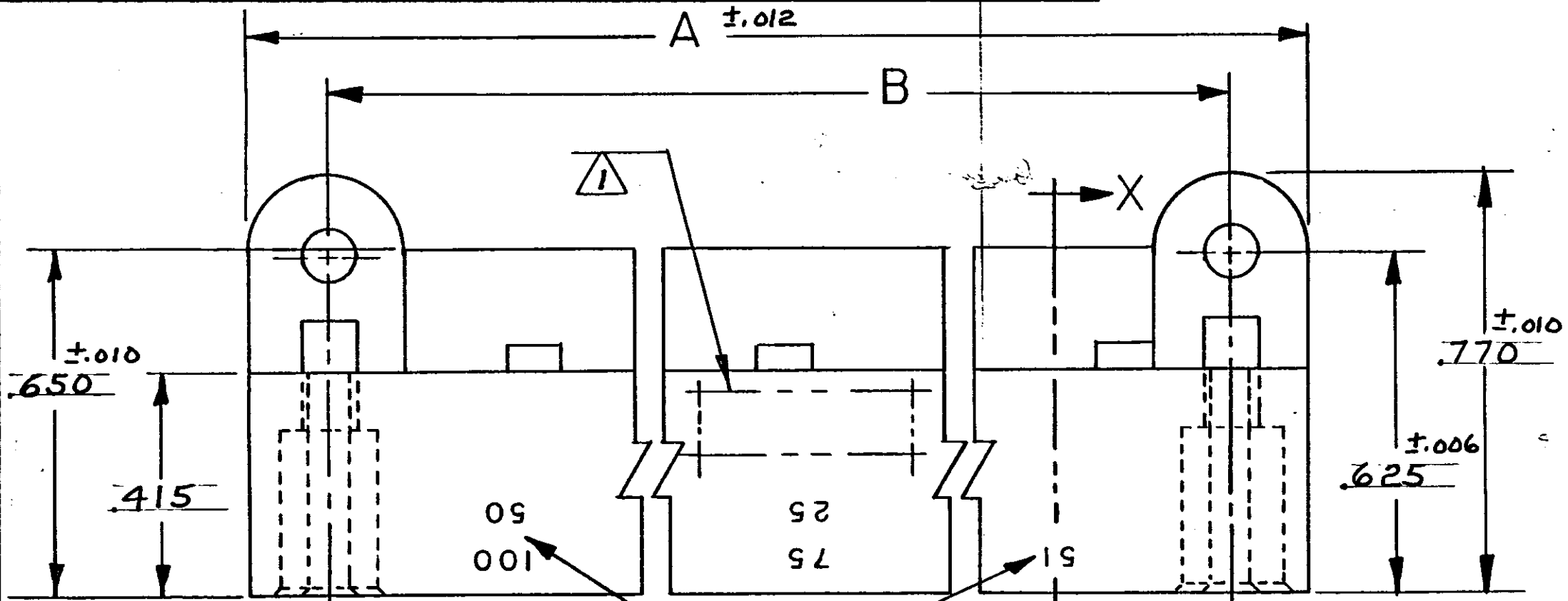
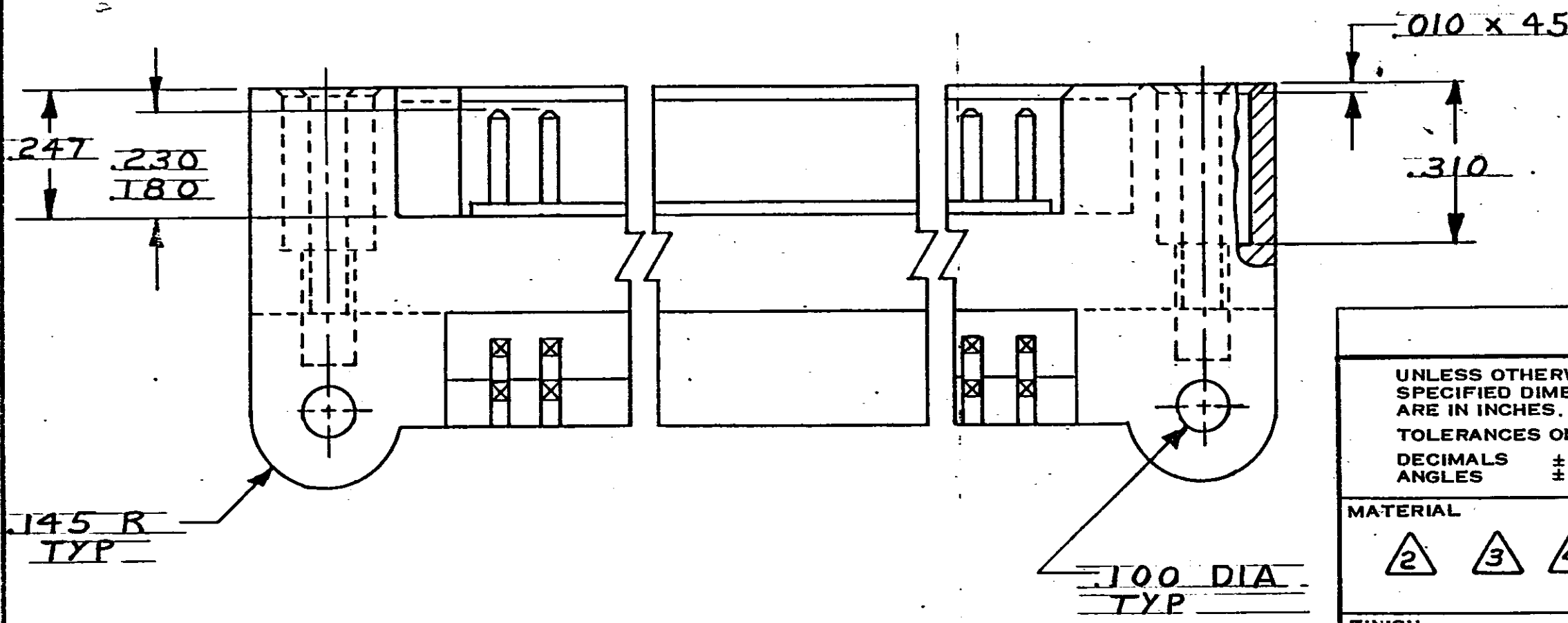
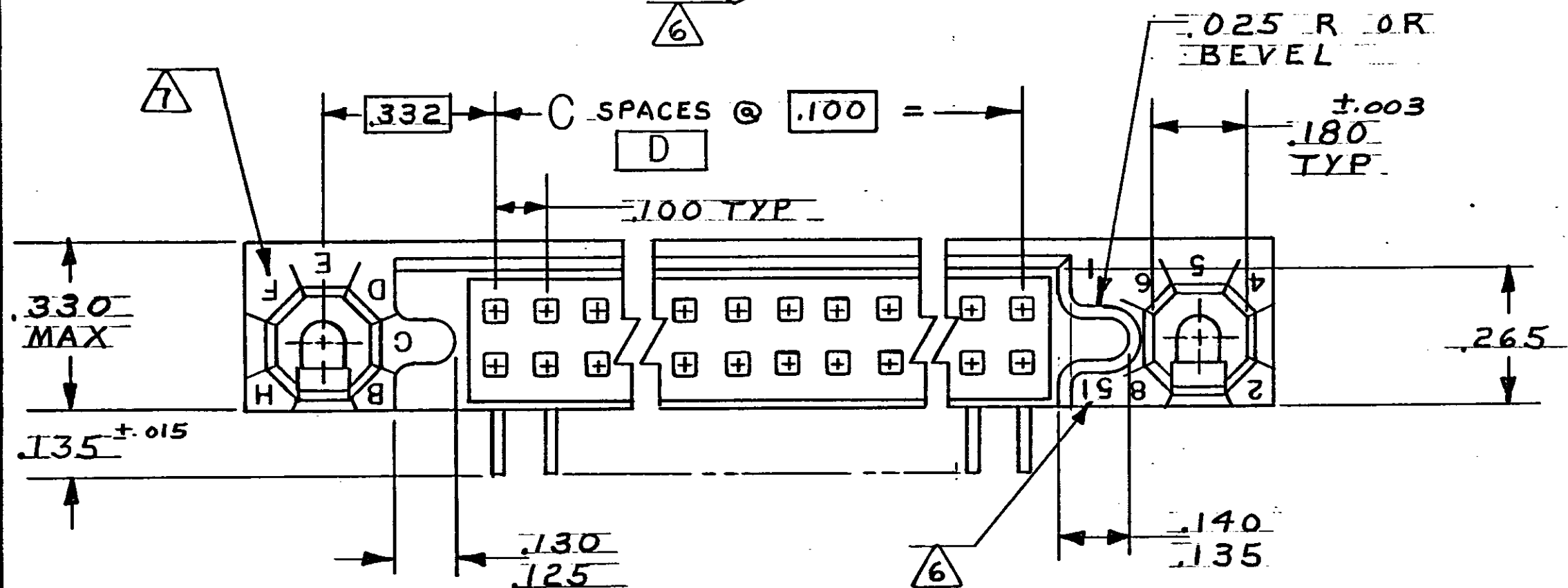
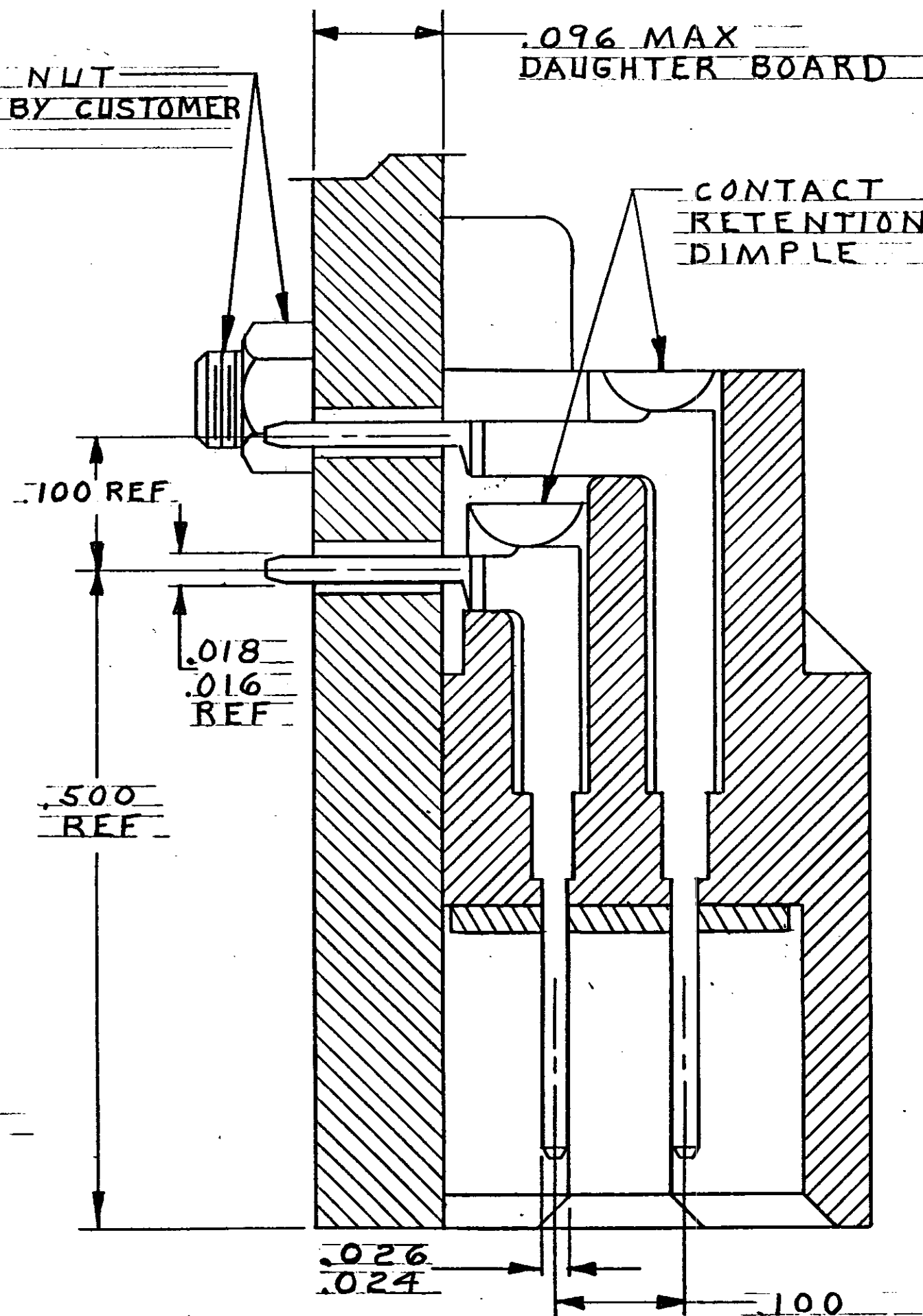


THIS DRAWING IS UNPUBLISHED. RELEASED FOR PUBLICATION 19
© COPYRIGHT 19 BY AMP INCORPORATED, HARRISBURG, PA. ALL INTERNATIONAL RIGHTS RESERVED. AMP PRODUCTS MAY BE COVERED BY U.S. AND FOREIGN PATENTS AND/OR PATENTS PENDING.

REVISIONS						
P	F	ZONE	LTR	DESCRIPTION	DATE	APPROVED
			J	ECO-08-020831	PY 10-08	BW



BOLT AND NUT SUPPLIED BY CUSTOMER



SECTION X-X
SCALE 10:1

UNLESS OTHERWISE SPECIFIED DIMENSIONS ARE IN INCHES. TOLERANCES ON: DECIMALS ±.005 ANGLES	CONTRACT NO		PART NO	
	DR <i>M. Smith</i> 10-28-81		AMP AMP INCORPORATED Harrisburg, Pa. 17105	
	CHR <i>W. H. Pritchard Jr</i> 12-16-81		NAME BOX CONNECTOR, PIN ASSY, RIGHT ANGLE, 100I SERIES, W/GASKET	
	APPD <i>W. H. Pritchard Jr</i> 12-16-81		SIZE C FSCM NO 00779 DRAWING NO 531722 REV J	
MATERIAL	APPD <i>ST. Parsons</i> 12-22-81		SCALE 4:1 SHEET 1 OF 2	
FINISH	DSGN APPD		OTHER APPD	
2 3 4	3			

CUSTOMER DRAWING

531722

